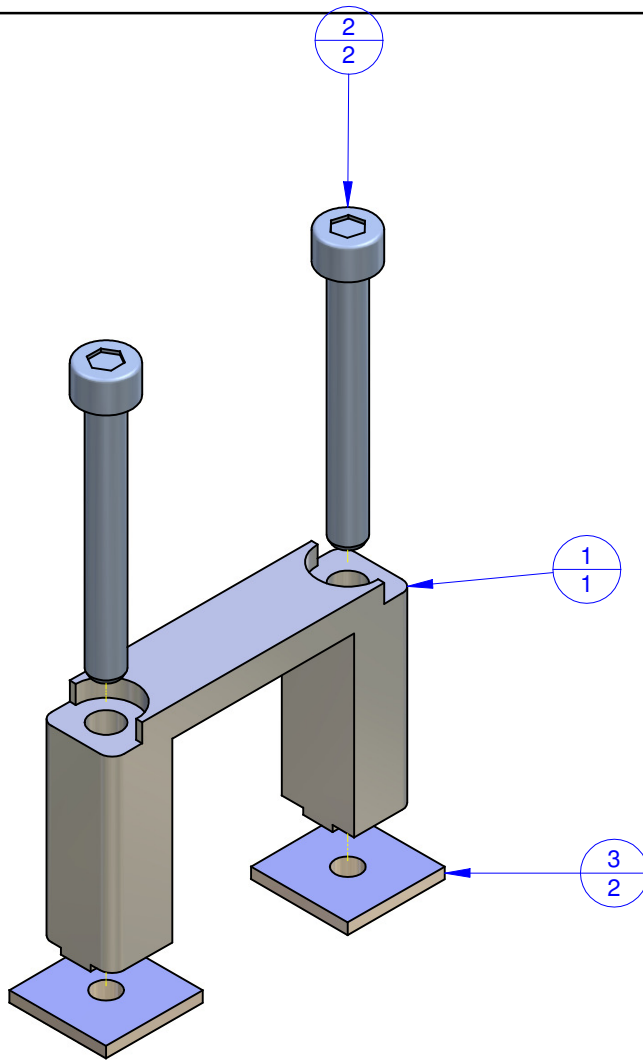


THE PROPERTY OF THIS DRAWING IS ESTABLISHED BY LAW
IT IS FORBIDDEN TO REPRODUCE IT OR SHOW IT TO THIRD PARTY
WITHOUT A WRITTEN AGREEMENT.

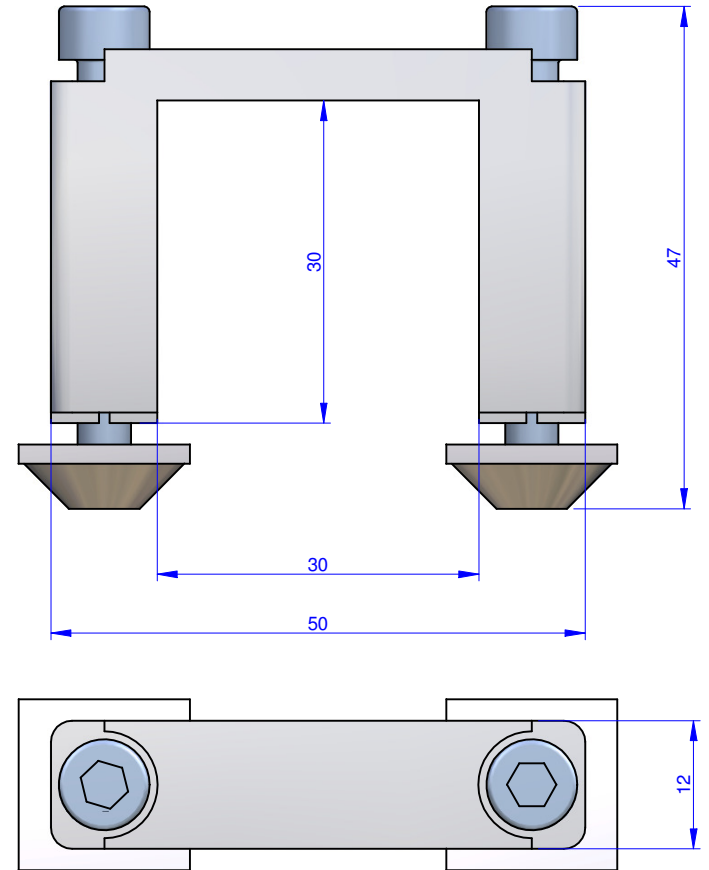
MODIFICATIONS: VARIED DIMENSIONS AS OF DATE:
 (7) _____ (10) _____
 (8) _____ (11) _____
 (9) _____ (12) _____

MODIFICATIONS: VARIED DIMENSIONS AS OF DATE:
 (1) _____ (4) _____
 (2) _____ (5) _____
 (3) _____ (6) _____

Format **A3**
 UNI 936-76



Object Number	Name	QTY
1	03.14.30	1
2	V.TCE M5X40	2
3	CA.02.05.008	2



FP Services			DESIGNED FROM	
			FPSERVICES	
GENERAL TOLERANCE:		DESCRIPTION	DATE	WEIGHT
UNI - ISO 2768			12/2013	0,043 kg
CLASSE f			CODE	CA.03.14.30

